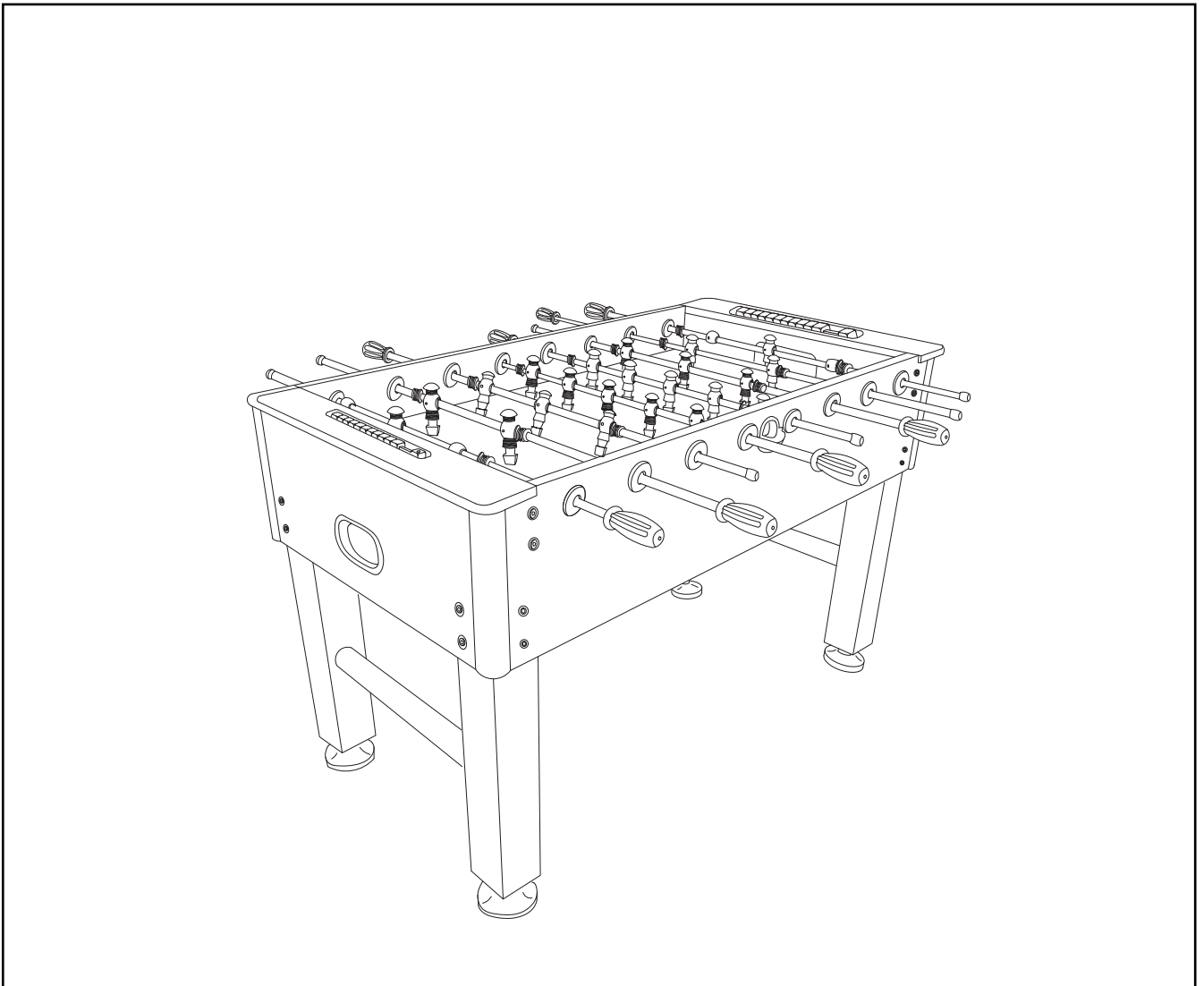


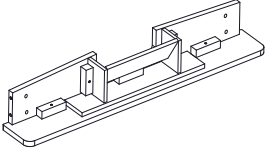
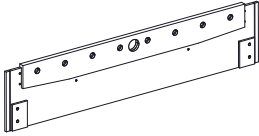
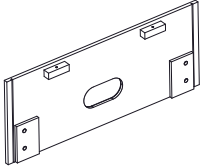
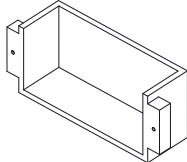

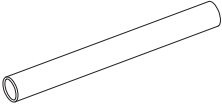
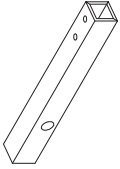
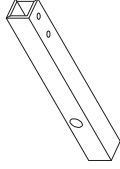
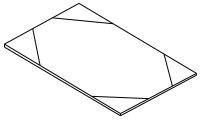
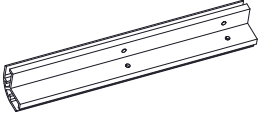

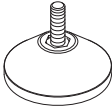

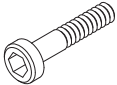






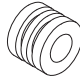
**Buffalo<sup>®</sup>**  
*Time to play!*

# SOCCER TABLE

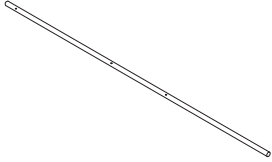
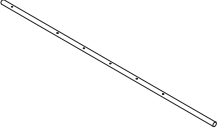
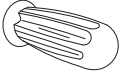

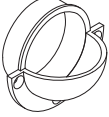
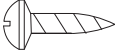

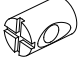

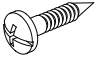
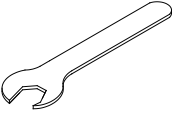


Item-No.: 6015.401

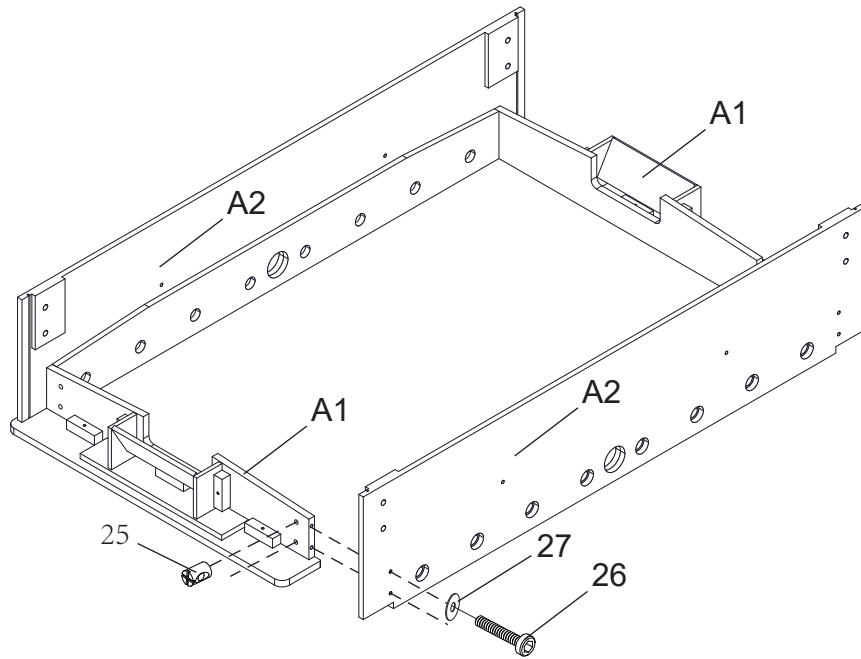
# Parts List

|  |  |  |   |
|--|--|--|---|
| <p>#A1</p>  <p>Goal<br/>2 pieces</p>                | <p>#A2</p>  <p>Side panel<br/>2 pieces</p>          | <p>#A3</p>  <p>End panel<br/>2 pieces</p>                      | <p>#A4</p>  <p>Ball box<br/>2 pieces</p>       |
| <p>#A5</p>  <p>Field Support Brace<br/>2 pieces</p> | <p>#A6</p>  <p>518*2" Plastic pole<br/>2 pieces</p> | <p>#A7</p>  <p>Leg-A<br/>2 pieces</p>                          | <p>#A8</p>  <p>Leg-B<br/>2 pieces</p>          |
| <p>#A9</p>  <p>End panel<br/>1 piece</p>            |  |  |   |
| <p>#1</p>  <p>metal bent corner<br/>4 pieces</p>  | <p>#2</p>  <p>Long support rod<br/>2 pieces</p>   | <p>#3</p>  <p>Leg leveler<br/>4 pieces</p>                   | <p>#4</p>  <p>1/4" Nut<br/>4 pieces</p>      |
| <p>#5</p>  <p>5/16"x1-1/2" Bolt<br/>16 pieces</p> | <p>#6</p>  <p>5/16"x23mm Washer<br/>16 pieces</p> | <p>#7</p>  <p>Visit players<br/>11 pieces</p>                | <p>#8</p>  <p>Home players<br/>11 pieces</p> |
| <p>#9</p>  <p>8#X1-1/8" Bolt<br/>26 pieces</p>    | <p>#10</p>  <p>Lock Nut<br/>26 pieces</p>         | <p>#11</p>  <p>5/8"X38mm<br/>Plastic washer<br/>16 pieces</p> | <p>#12</p>  <p>Bumper<br/>16 pieces</p>      |

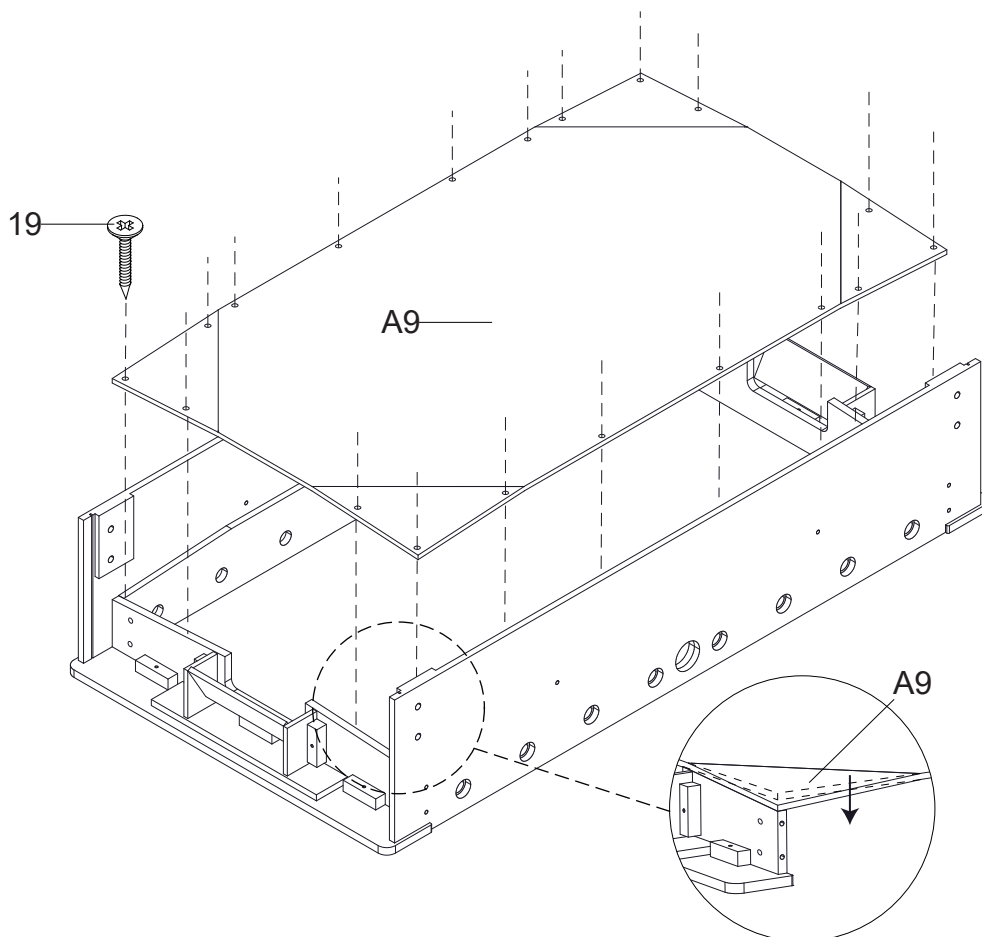
# Parts List

|  |  |   |   |
|--|--|---|---|
| <p>#13</p>  <p>Stop ring<br/>4 pieces</p>   | <p>#14</p>  <p>Rod end cap<br/>8 pieces</p>                               | <p>#15</p>  <p>One player rod (2)<br/>Three player rod (2)<br/>4 pieces</p> | <p>#16</p>  <p>Two player rod<br/>2 pieces</p>   |
| <p>#17</p>  <p>Five player rod<br/>2 pieces</p>   | <p>#18</p>  <p>Handle<br/>8 pieces</p>                                    | <p>#19</p>  <p>F4X1" Screw<br/>20 pieces</p>                      | <p>#20</p>  <p>Ball entry cup<br/>2 pieces</p>   |
| <p>#21</p>  <p>8#X5/8" Phillips head Screw<br/>6 pieces</p> | <p>#22</p>  <p>Soccer Ball<br/>4 pieces</p>                               | <p>#23</p>  <p>4mm Allen Key<br/>1 piece</p>                                | <p>#24</p>  <p>Washer<br/>16 pieces</p>          |
| <p>#25</p>  <p>1/4" Nut<br/>8 pieces</p>  | <p>#26</p>  <p>1/4"X2-1/2" Bolt<br/>8 pieces</p> | <p>#27</p>  <p>1/4"X19mm Washer<br/>12 pieces</p>     | <p>#28</p>  <p>T4X12mm Screw<br/>16 pieces</p> |
| <p>#29</p>  <p>8#X1-1/8" Screw<br/>8 pieces</p>                               | <p>#30</p>  <p>Wrench<br/>2 pieces</p>                                  |   |   |

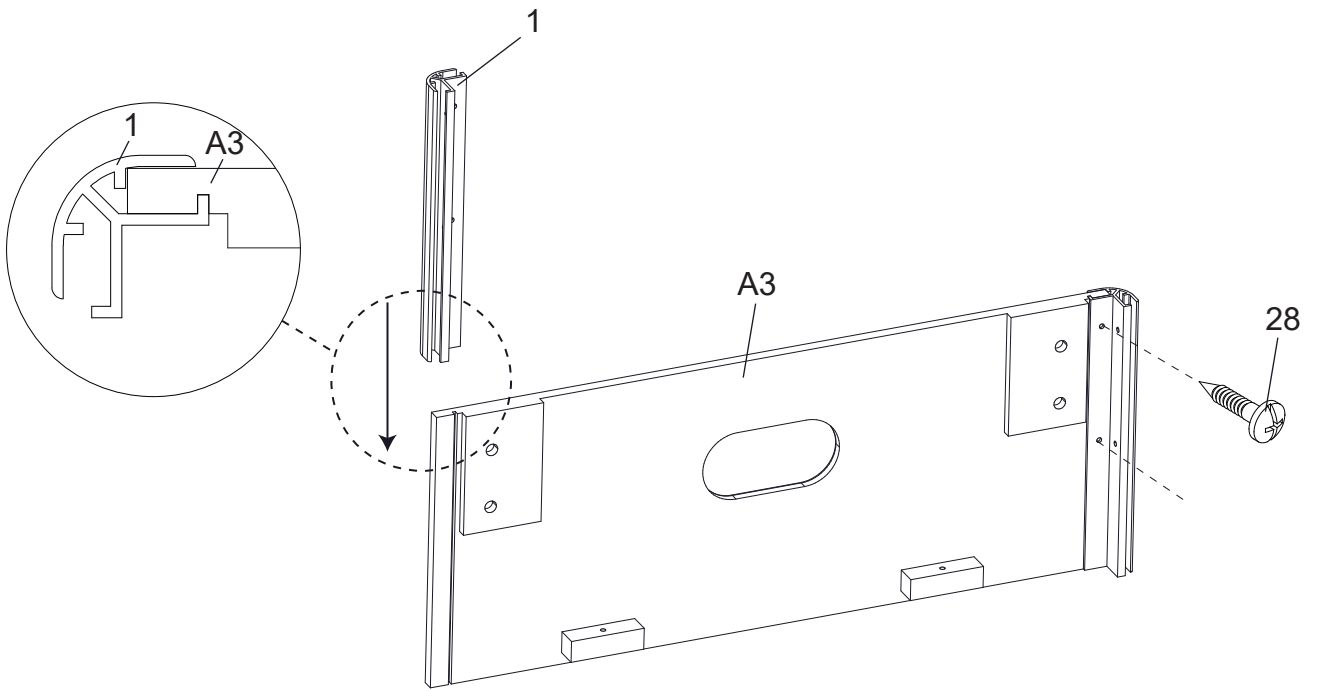
Step 1:



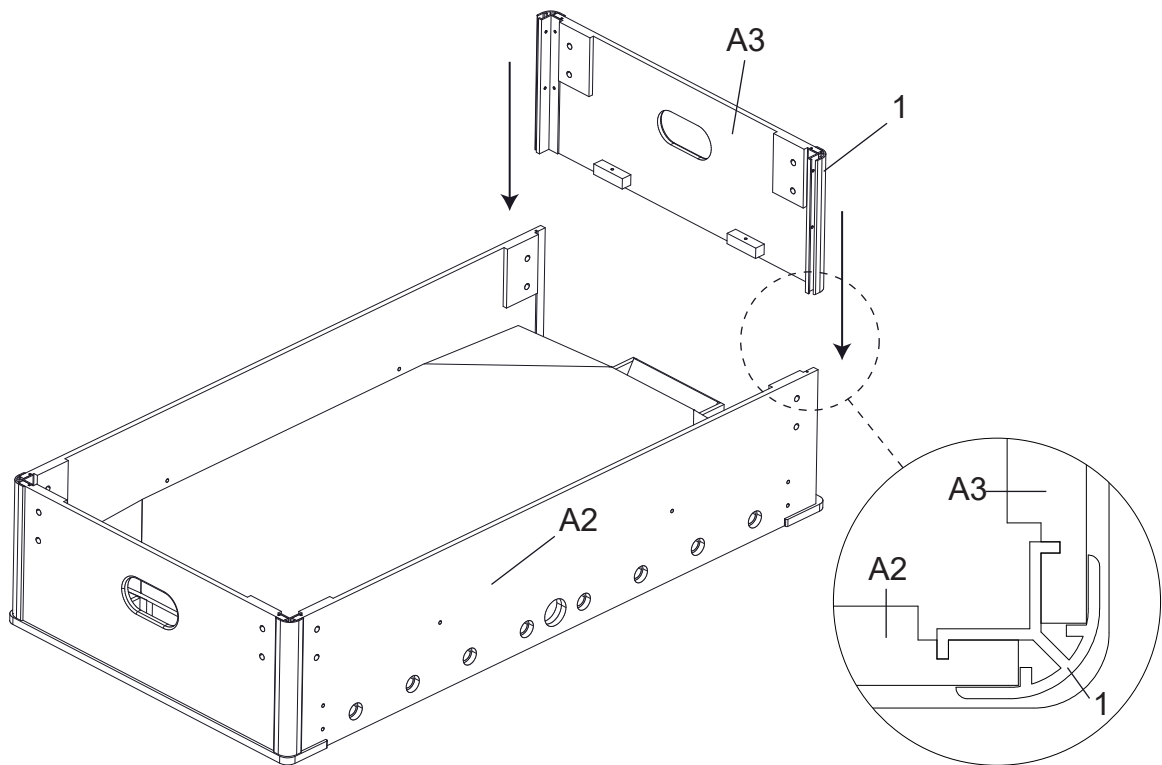
Step 2:



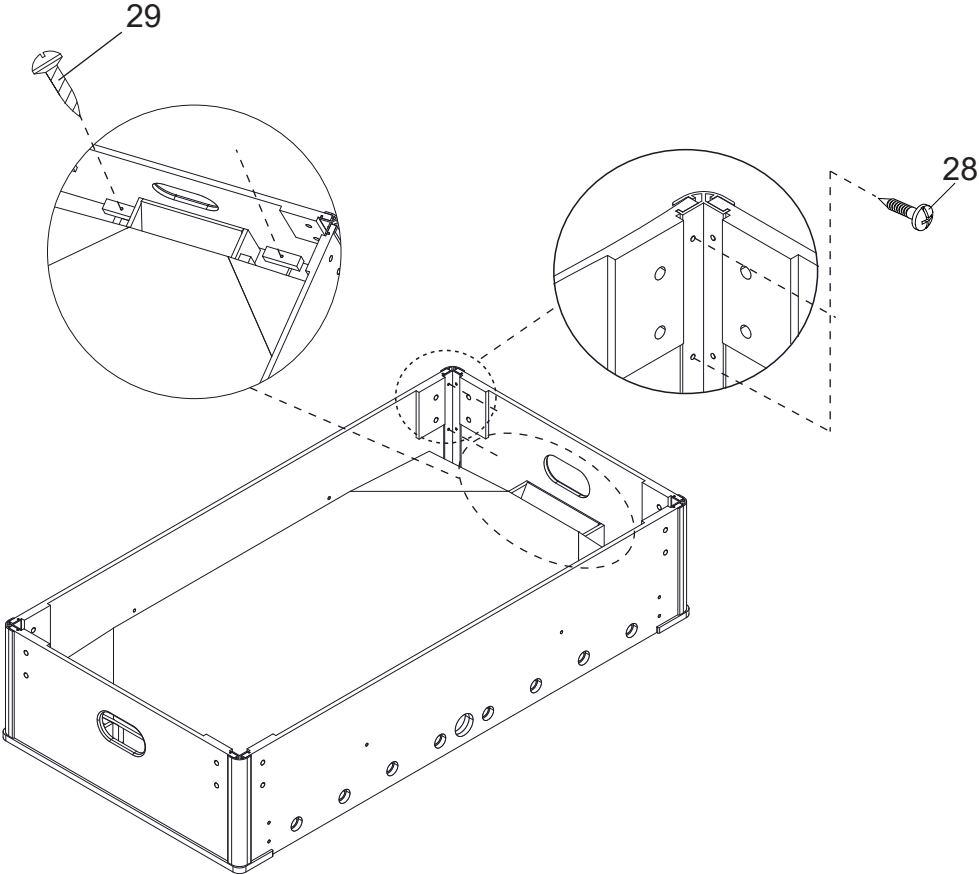
Step 3:



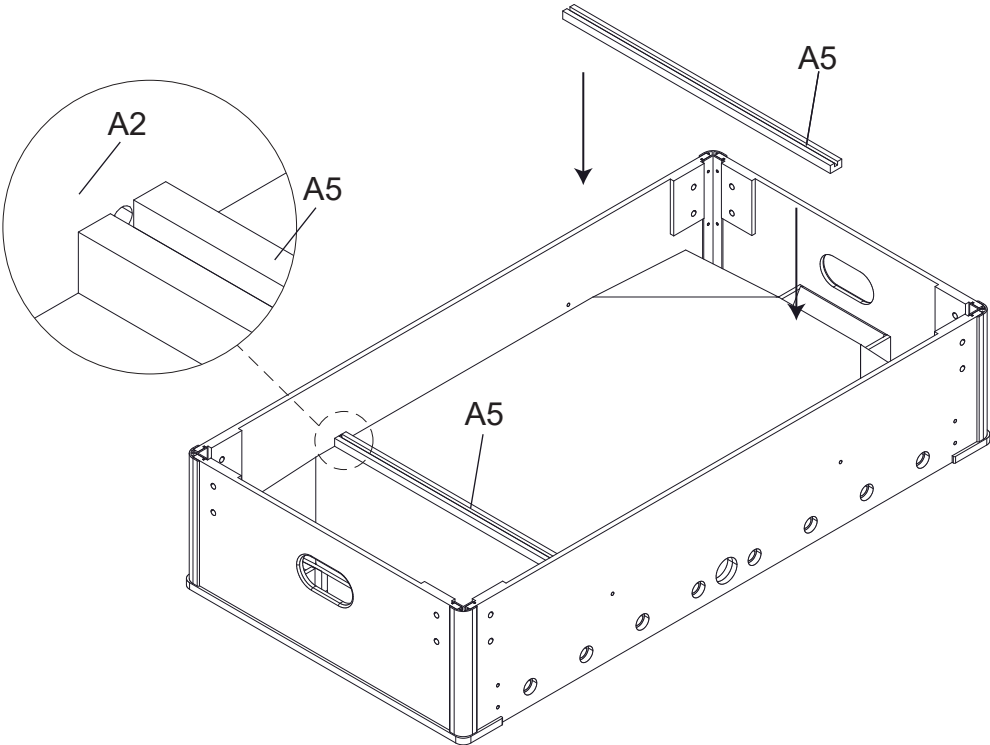
Step 4:



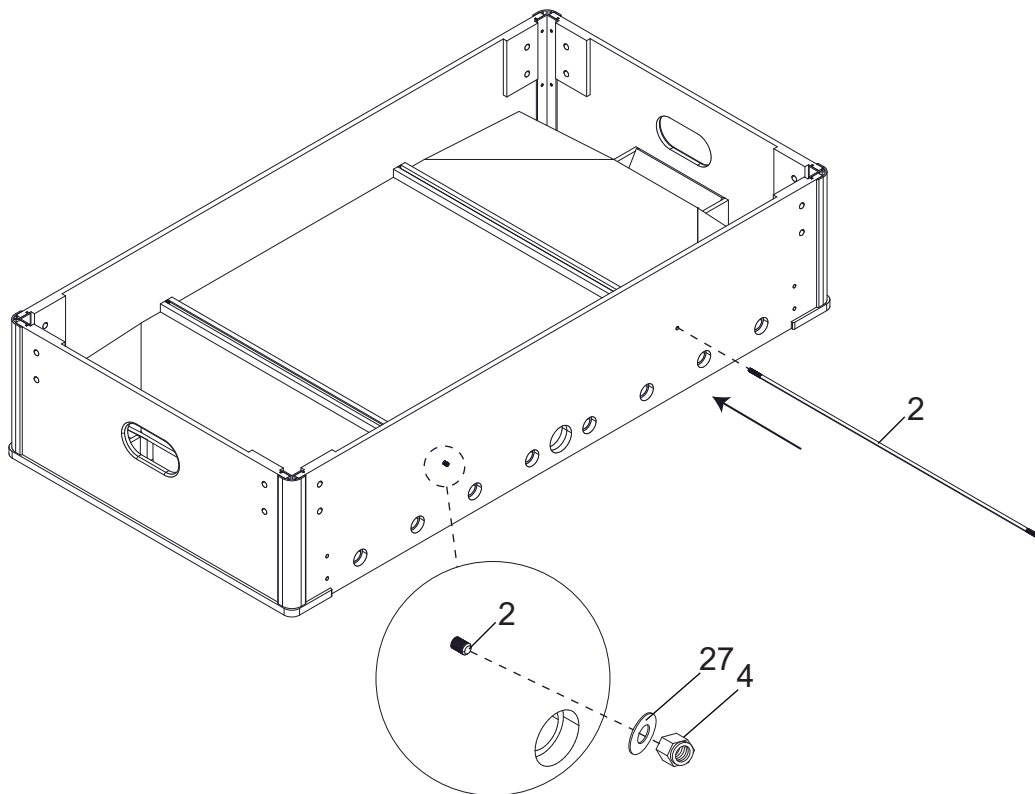
Step 5:



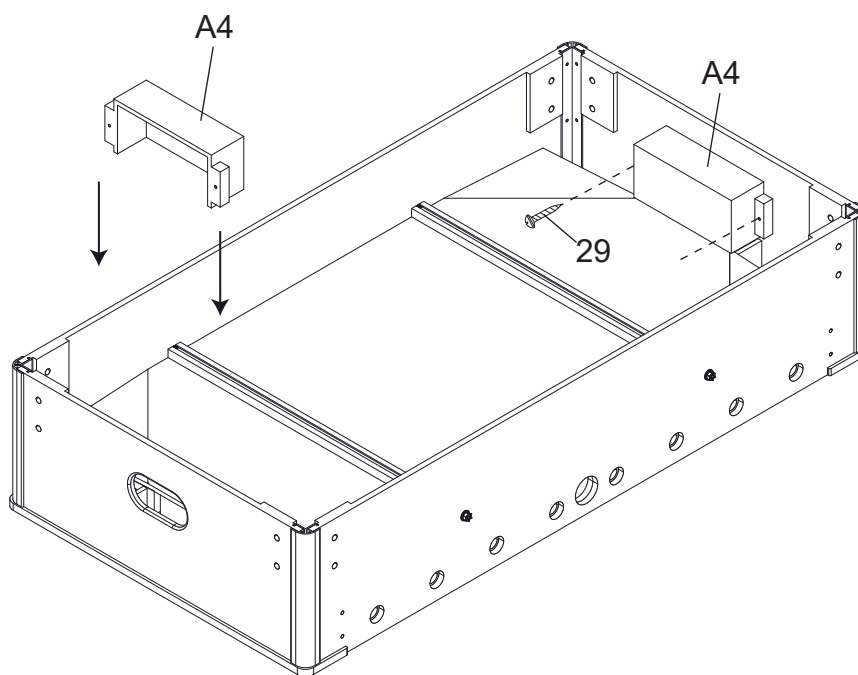
Step 6:



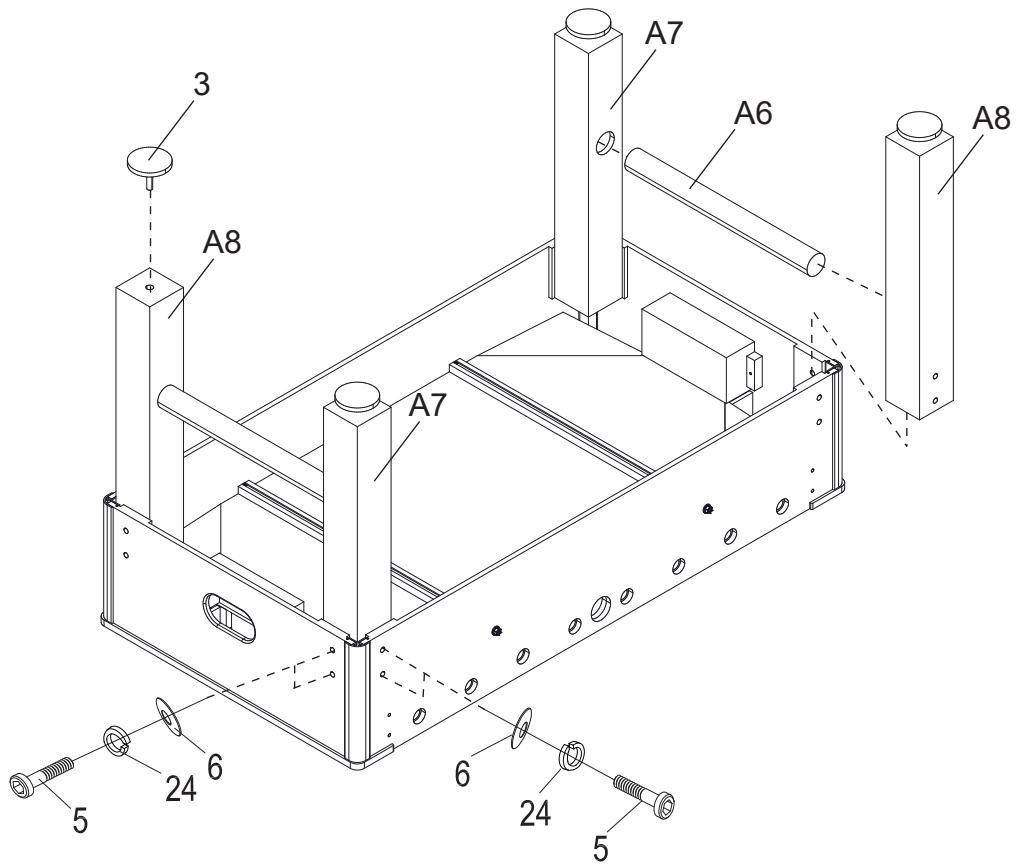
Step 7:



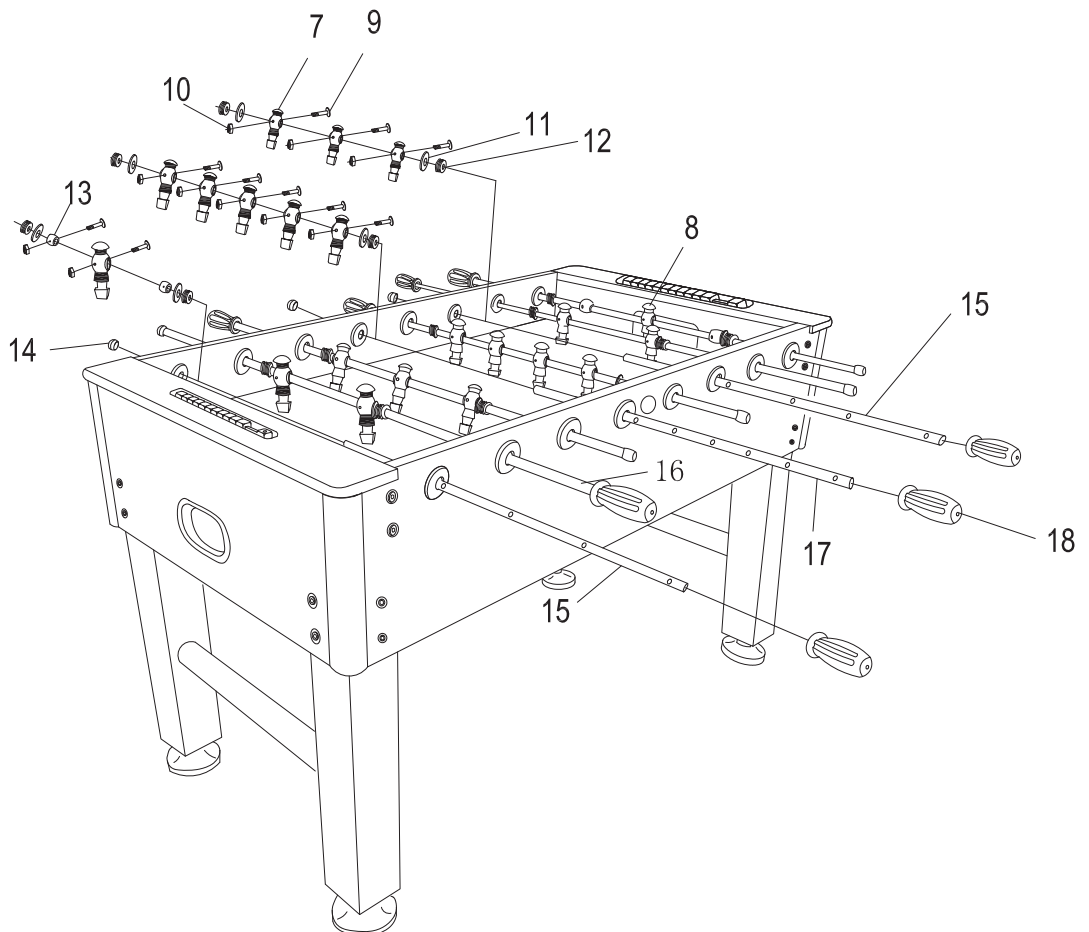
Step 8:



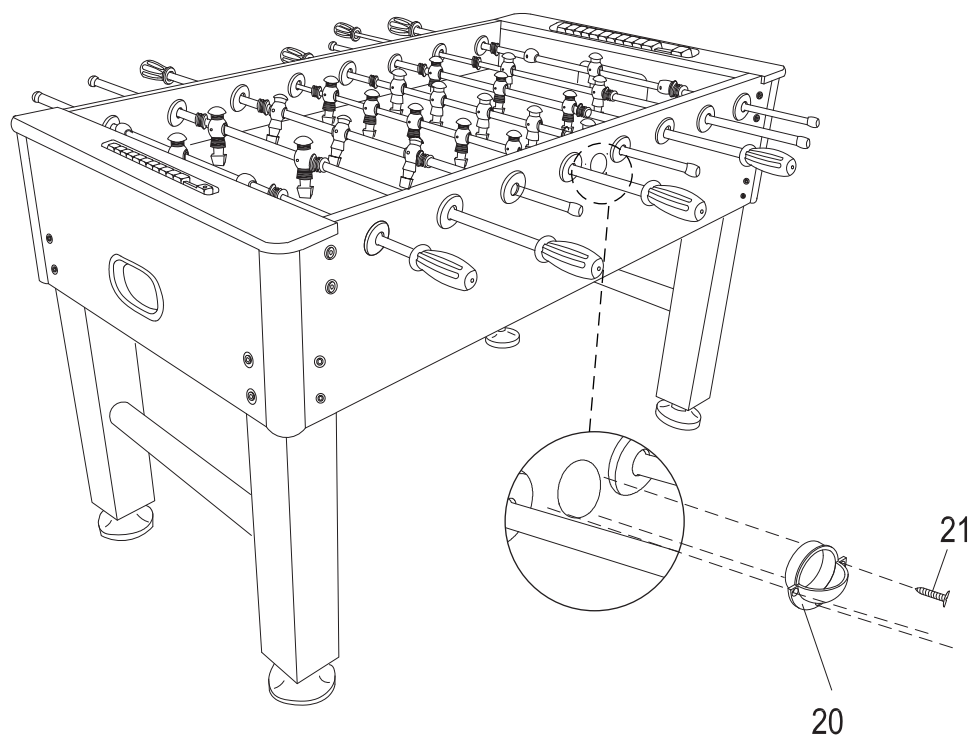
Step 9:



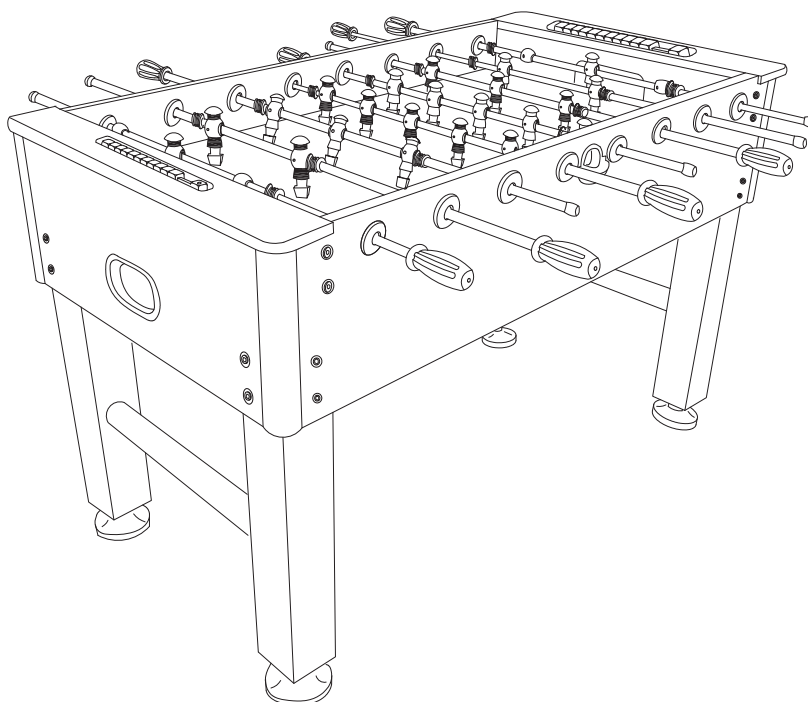
Step 10:



Step 11:



Step 12:



—End

